



HAMMER **WINCH**

www.hammerwinch.com

www.hammerindustri.com


► HAMMER WINCH IN BRIEF



Hammer Endüstri, a company of Altınçekiç (1982), was founded in Ankara in 2003.

He began to produce its own brand hydraulic pulling winches called "**Hammer Winch.**"

► BUSINESS LINE



Hammer Winch is a one of the leading manufacturer and produces a large range of hydraulic pulling winch products including accessories, parts according to **EN-14492-1** and **CE** norms.

► APPLICATION



Hammer Winch Producing European and world standard quality hydraulic pulling Winches for towing and recovery, military vehicles, private vehicles purposes

▶ HISTORY

Establishment
of Altınçekiç

1982

Process
improvement

1990

Commercial
and industrial
applicationst

1998

Foundation of
Hammer Winch
and new design
of winches

2003

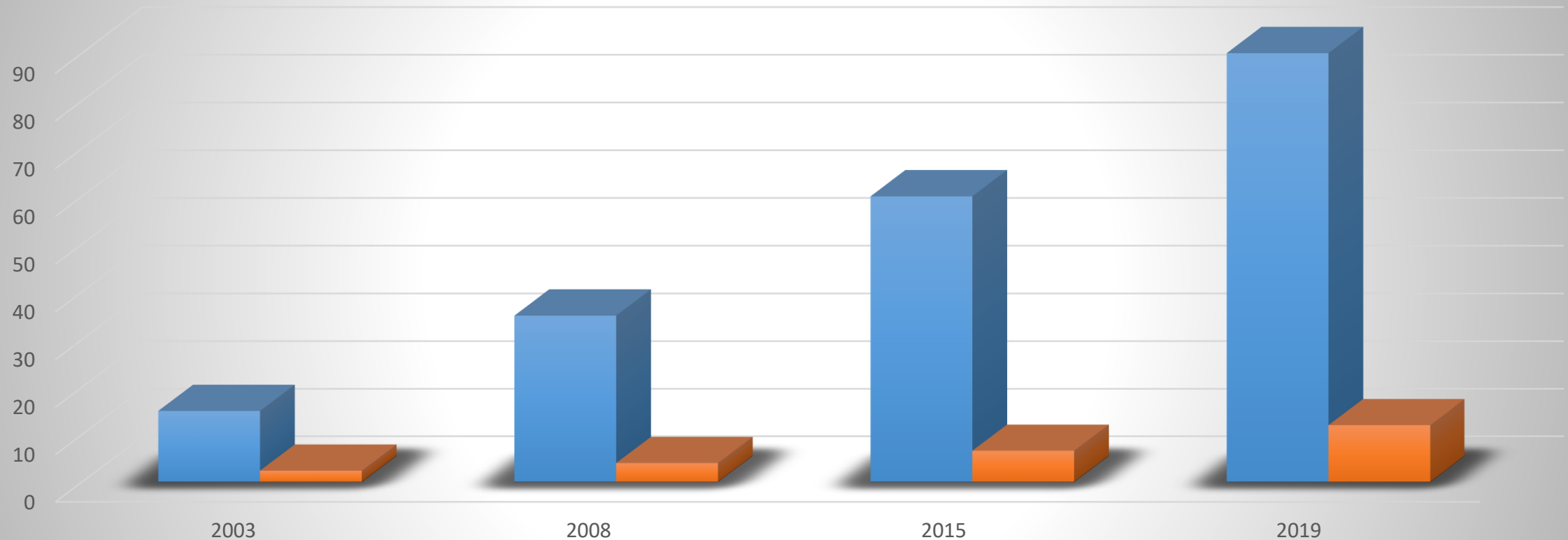
Producing
European and
world standard
quality winches

2019

▶ ON THE MARKET

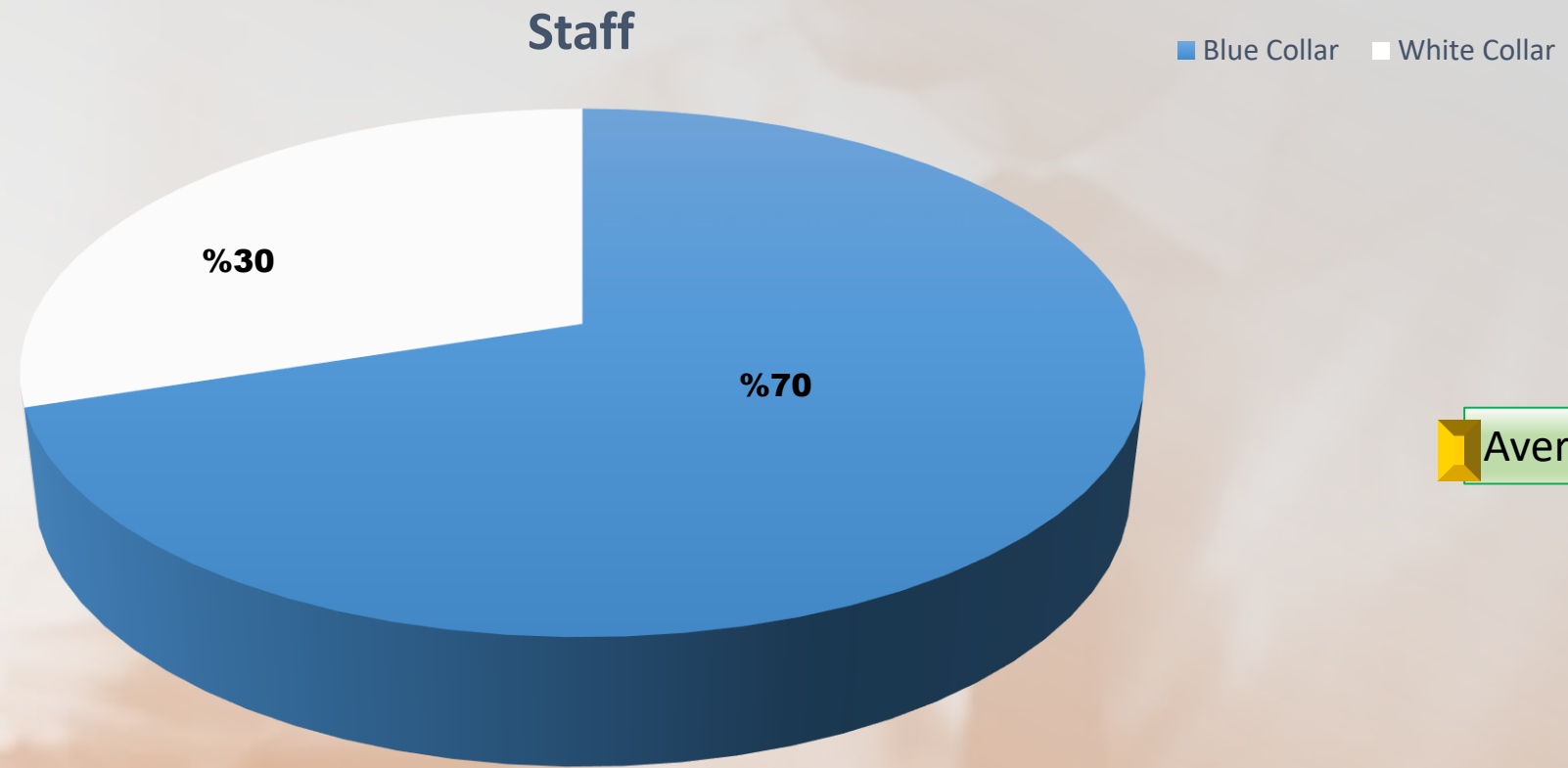
Marketing Share

■ Domestic ■ Export



■ ■ During the period between 2003-2019, **Hammer Endüstri** expanded its activities for hydraulic pulling winch on the international platform and domestic market

▶ EMPLOYEE PROFILE



Average Age : 29

▶ PRODUCT TESTING



The winches, computerized in test unit + over 10% capacity testes as LIFTING LOAD.



Hammer Winch Gives importance to R+D and International Competition studies with its experienced staff and focuses on customer demand with latest technology and superior quality

► TECHNOLOGY



Using advanced manufacturing processes, premium materials, highly trained engineers and production personnel, **Hammer Winch** is today's choice for quality, dependability and endurance.

► QUALITY & PRODUCTION CERTIFICATIONS

Sertifika Certificate

HAMMER ENDÜSTRİ İŞ MAKİNALARI HİDROLİK SAN. İÇ VE DIŞ TİC. LTD. ŞTİ.

MERKEZ: 1200. SK. (ESKİ 29. SK.) NO:23 OSTİM / YENİMAHALLE / ANKARA
FABRİKA: ORHANIYE MAH. 2073 CAD. NO:23/B KAHRAMANKAZAN / ANKARA

DSR BELGELENDİRME tarafından denetlenmiş ve uygulamakta olduğu
Otomotiv Kalite Yönetim Sisteminin

is audited by DSR Certification and applied
Automotive Quality Management System meet the requirements of

ISO/TS 16949:2016

standardına aşağıdaki kapsamda uymakta olduğu gözlenmiştir.
standard for the following activities.

HİDROLİK VE ELEKTRİKLİ HALAT TAMBURLARI, İŞ MAKİNALARI YEDEK PARÇA ÜRETİMİ VE SATIŞI
HYDRAULIC AND ELECTRIC ROPE DRUMS, CONSTRUCTION MACHINERY SPARE PARTS PRODUCTION AND SALE

Sertifika No / Certificate No: TS-19.12.101

02.12.2019
Sertifika Tarihi
Certificate Date

02.12.2019
Sertifika Son Basım Tarihi
Certificate Last Issue Date

01.12.2020
Belgelendirme Periyodu
Bitiş Tarihi
Certification Period
Expiration Date

01.12.2020
Sertifika Geçerlilik Tarihi
Certificate Expiry Date

ISO 16949

Automotive Quality Management Systems

Revizyon: 01 Revizyon Tarihi: 24.05.2018



Sertifika CERTIFICATE

HAMMER ENDÜSTRİ İŞ MAKİNALARI HİDROLİK SAN. İÇ VE DIŞ TİC. LTD. ŞTİ.

MERKEZ: 1200. SK. (ESKİ 29. SK.) NO: 23 OSTİM/YENİMAHALLE/ANKARA/TÜRKİYE
FABRİKA: ORHANIYE MAH. 2073 CAD. NO: 23/B
KAHRAMANKAZAN/ANKARA/TÜRKİYE

ISO 9001:2015

Kapsam/Scope

HİDROLİK VE ELEKTRİKLİ HALAT TAMBURLARI, İŞ MAKİNALARI YEDEK
PARÇA ÜRETİMİ VE SATIŞI

HYDRAULIC AND ELECTRIC ROPE DRUMS, CONSTRUCTION MACHINERY
SPARE PARTS PRODUCTION AND SALE

Bu sertifika ile yukarıda adı geçen kuruluşun Kalite Yönetim Sistemi gerekliliklerini karşıladığı tasdik olunur.

This is to certify that the above mentioned Company meets the requirement of Quality Management System.

Belge NO / Certification Number : MTS-15969
İlk Kayıt Tarihi / Date of Initial Reg. : 6.12.2019
Basım Tarihi / Date of Certificate : 6.12.2019
Geçerlilik Tarihi / Date of Expiry : 5.12.2020
Yeniden Belgelendirme Tarihi / Date of Recertification : 5.12.2022

ISO 9001

Quality Management Systems.

Belgelendirme Müdürü / Certification Manager



ATTESTATION OF CONFORMITY UYGUNLUK ONAYI

Sertifika Numarası / Certificate Number : M.2017.ST.1015.01

Üretici / Manufacturer : Hammer Endüstri İş Makinaları Hidrolik Sanayi İç
ve Dış Ticaret Ltd. Şti.

Üretici Adresi / Manufacturer adress : Merkez:1200.Sokak No:23 Ostim Yenimahalle
ANKARA / TÜRKİYE
Üretim: Orhaniye Mah.2073 Cad. No:23/B
Kahramankazan ANKARA / TÜRKİYE

Ürün Tanımı / Product description : Çekme ve Kaldırma Halat Tamburu
Pulling Winches-Hoist

Tip / Model / Type / Model : HAMMER WINCH Markalı 500 kg-80 ton arası


İlgili Yönetmelikler / Related Directives : 2006/42/AT Makina Emniyeti Yönetmeliği/EK VIII
2006/42/EC Machinery Directive/Annex VIII

İlgili Standartlar / Related Standards : EN ISO 14492-1, EN ISO 12100, EN ISO 13849-1

Test raporu / Test report : ST.1015.01

UEM Adriatic d.o.o. adı ve adresi yukarıda belirtilen firmanın sunduğu teknik dokümanları inceleyerek, belirlenen ürünün Makina Emniyeti Yönetmeliği 2006/42/AT Ek VIII kurallarına uygunluğunu onaylar. Yukarıda belirtilen tipteki ürün üzerine CE işaretini, üreticinin kendi sorumluluğunda hazırlayacağı AT Uygunluk Beyanı ile ilişirebilir. İncelemesi yapılan ürüne ait olan bu belge tasarrufla değiştirilmez halinde geçerliliğini yitirir. Bu belgenin geçerliliğini www.udemadriatic.com internet sayfasından kontrol edebilirsiniz. Bu belge sadece yukarıda adı geçen ürün tipleri/modelleri için geçerlidir. Yukarıda adı geçen firma ve UDEM bu belgelerin bir kopyasını tescil tarihinden itibaren 15 yıl süreyle muhafaza etmelidir. Bu belgenin mülkiyet hakkı UDEM Adriatic d.o.o.'ya aittir ve istenildiğinde tade edilebilir.

UEM Adriatic d.o.o. confirms by examining technical documents presented on the part of company which stated title and address below that product is conformable to 2006/42/EC Annex VIII

Machinery Directive regulations, could attach  marking on the product with EC Declaration of Conformity prepared by manufacturer in the charge of company. In case of changing this certificate design regarding to product examined, certificate will be expired. Please check validity of this certificate by website www.udemadriatic.com This certificate is valid just for the product type/models stated below. UDEM and Company above mentioned must retain a copy of these certificates for 15 years since the day of registration. This certificate property belongs to UDEM Adriatic d.o.o and if required it must be returned.

Yayın Tarihi / Issue Date : 22.05.2017
Geçerlilik Tarihi / Validity date : 21.05.2020

EN-CE 14492-1

European Standard Norms..



Adres: Gajevo 2b, 1st floor Z
Tel: +385 (1) 4819 601 Faks: +385 (1) 4819 604
E-posta: info@udemadriatic.com Web: www.udemadriatic.com

HAMMER WINCH

DSR ULUSLARARASI GÖZETİM VE BELGELENDİRME HİZMETLERİ LTD. ŞTİ.

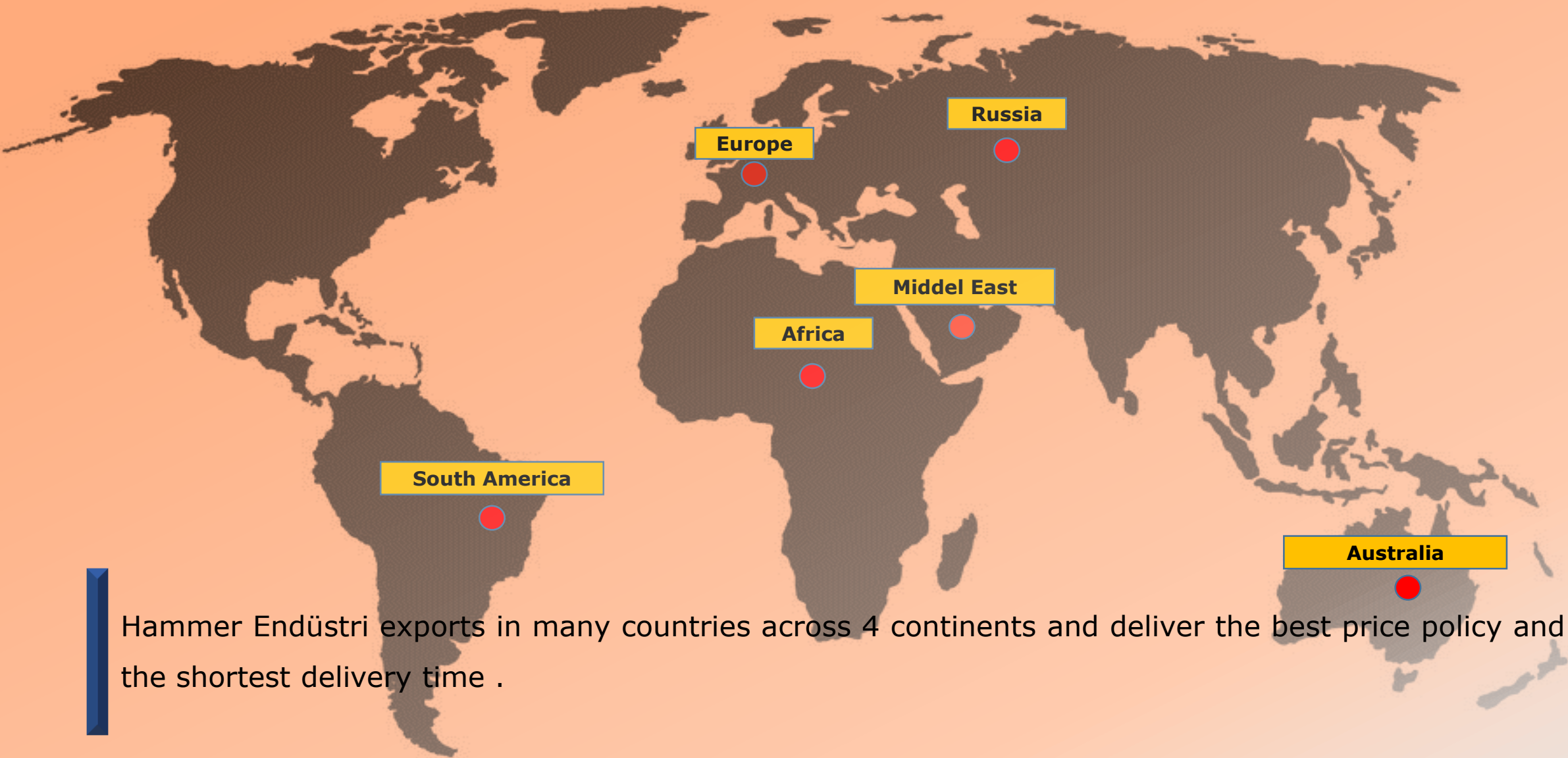
Yeşilbağlar Mah. Selvili Sk. Helis Beyaz Ofis 2/1 A Blok No:207 PENDİK / İSTANBUL / TÜRKİYE Tel: +90 216 606 06 35



SIGMACERT
ULUSLARARASI BELGELENDİRME

Ostim Mahallesi 2239/1 Sokak No: 7/3
Tel: +90.312 385 08 85 Yenimahalle / ANKARA

▶ EXPORT



Hammer Endüstri exports in many countries across 4 continents and deliver the best price policy and the shortest delivery time .

▶ PRODUCTS

Light Series

Medium Series

Heavy Series

Military Series

▶ LIGHT SERIES

From 3.6 Ton to 7.8 Ton EN Version

HMW 3.6 PHT-EN

HMW 4.3 PHT-EN

HMW 5.6 PHT-EN

HMW 7.6 PHT-EN

CE Version

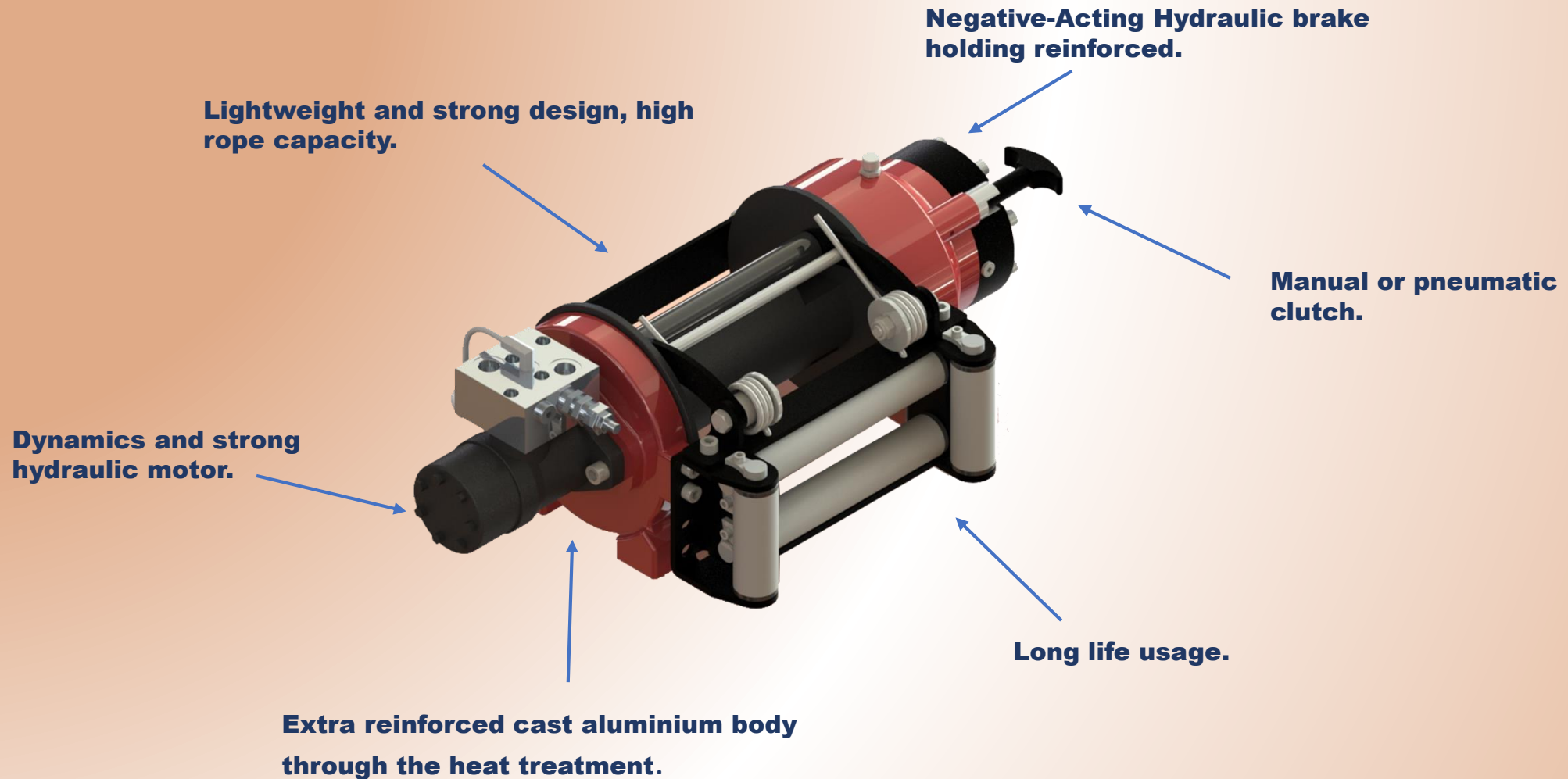
HMW 4.0 PHT-CE

HMW 5.0 PHT-CE

HMW 6.8 PHT-CE

HMW 7.8 PHT-CE

▶ LIGHT SERIES



► MEDIUM SERIES

From 10 Ton to 22 Ton

EN Version

HMW 10.0 PHT-EN

HMW 12.6 PHT-EN

HMW 14.2 PHT-EN

HMW 20.0 PHT-EN

HMW 22.0 PHT-EN

CE Version

HMW 10.0 PHT-CE

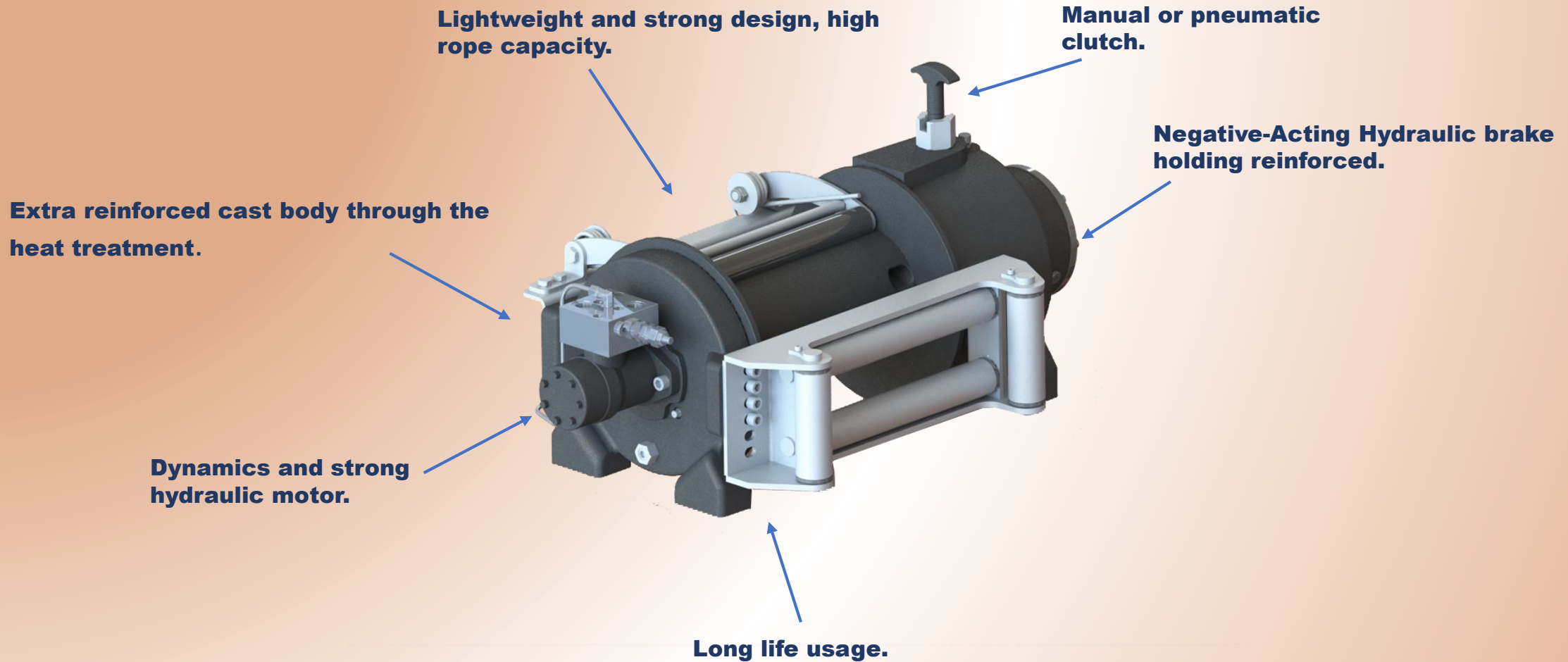
HMW 12.0 PHT-CE

HMW 15.0 PHT-CE

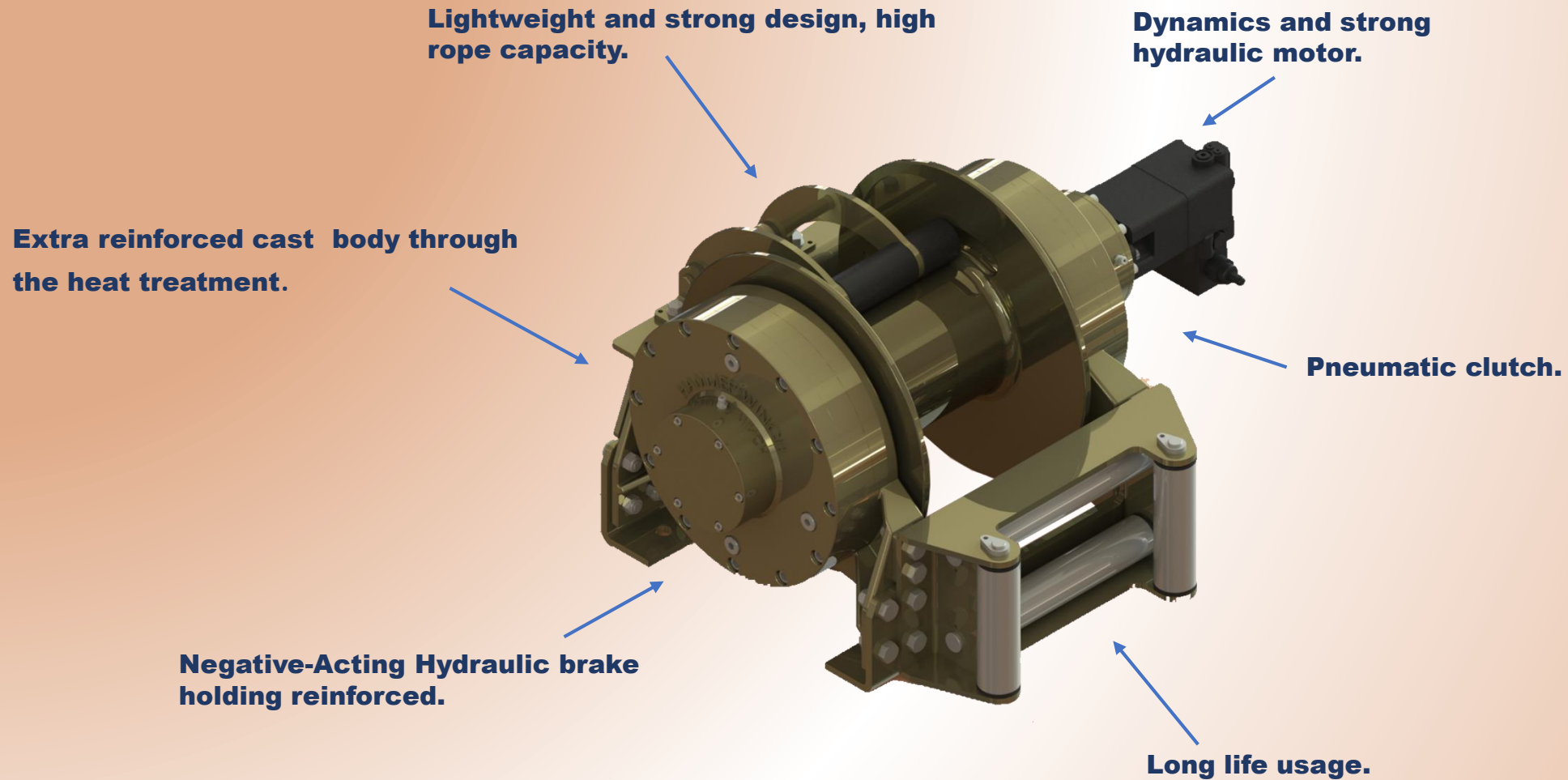
HMW 20.0 PHT-CE

HMW 22.0 PHT-CE

► MEDIUM SERIES



► MEDIUM SERIES

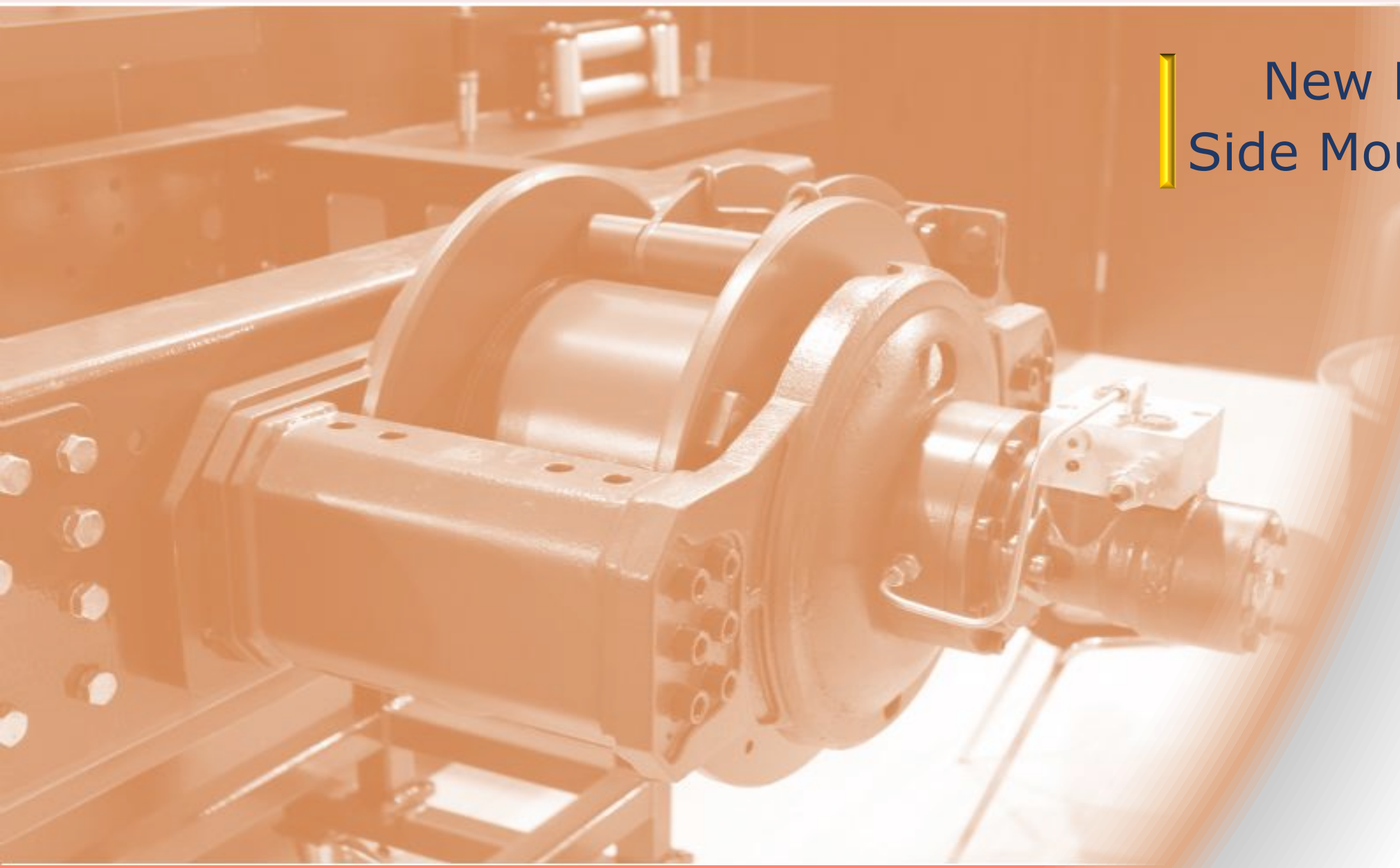


► MEDIUM SERIES

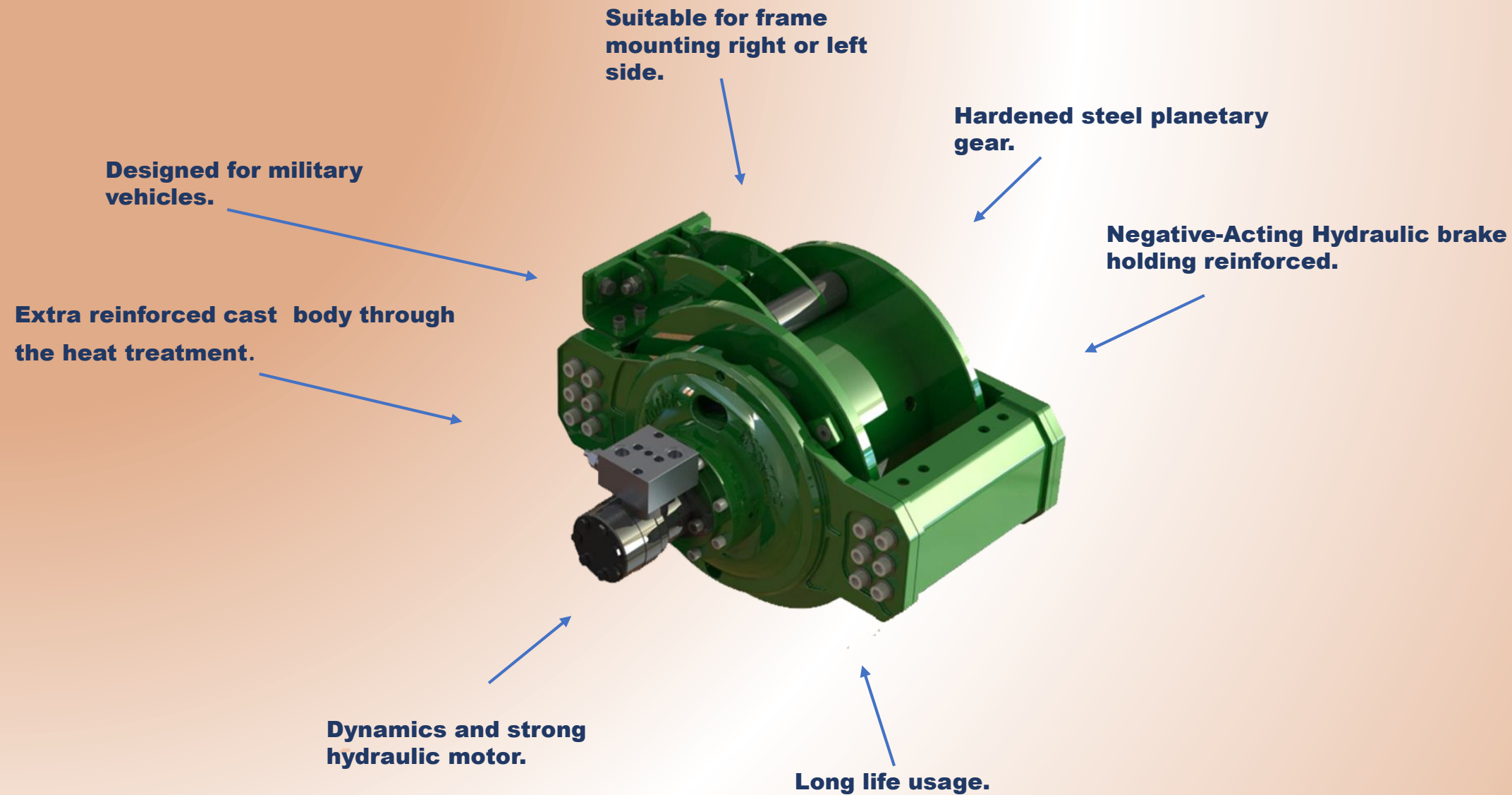
New Product ! Side Mounted Winch

CE Version

HMW 8.0 SDW-CE
HMW 10.0 SDW-CE
HMW 12.0 SDW-CE



▶ SIDE MOUNTED WINCH



▶ HEAVY SERIES

From 25 Ton to 45 Ton

EN Version

HMW 25.0 PHT-EN

HMW 30.0 PHT-EN

CE Version

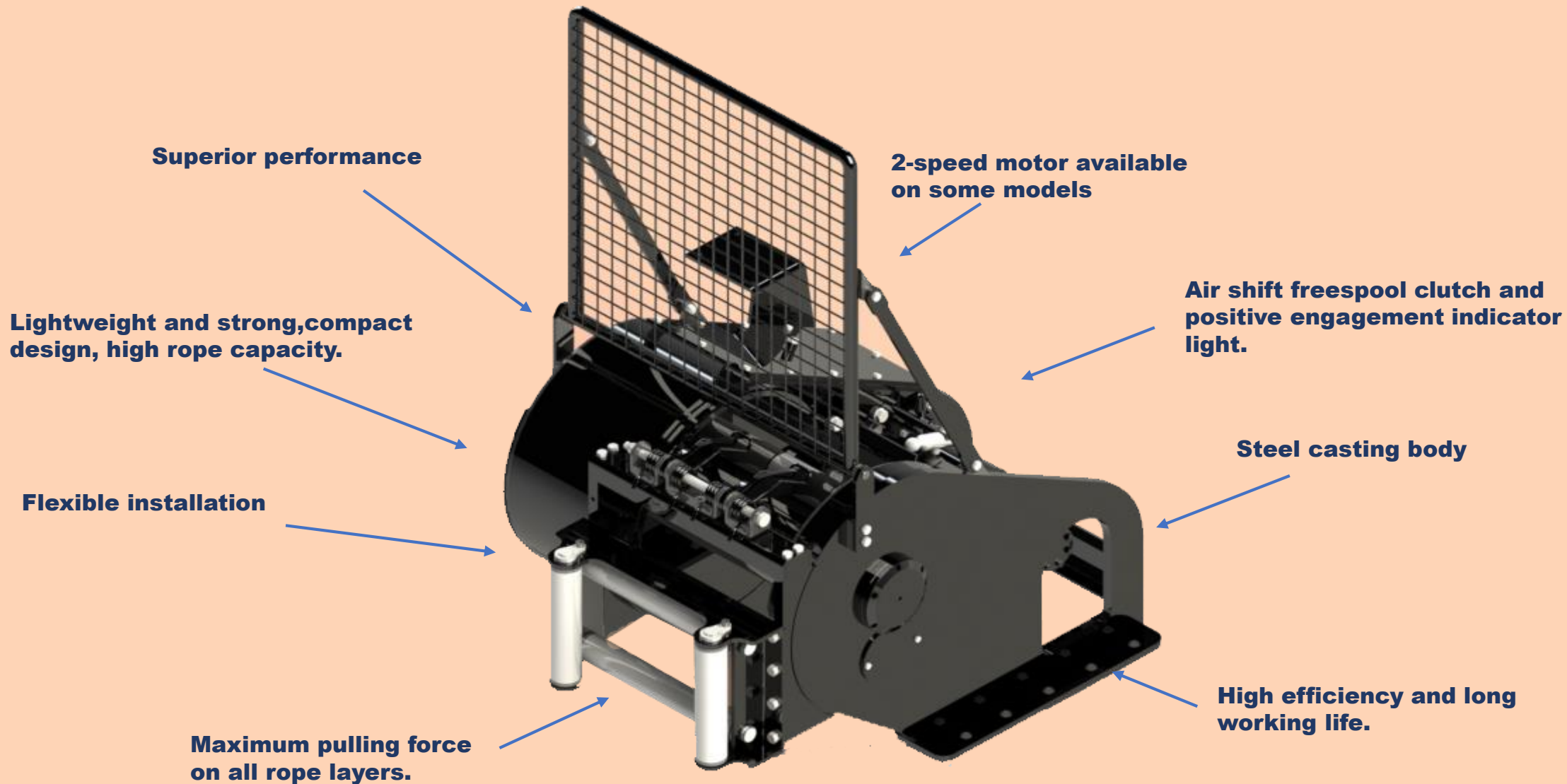
HMW 30.0 THT-CE

HMW 35.0 THT-CE

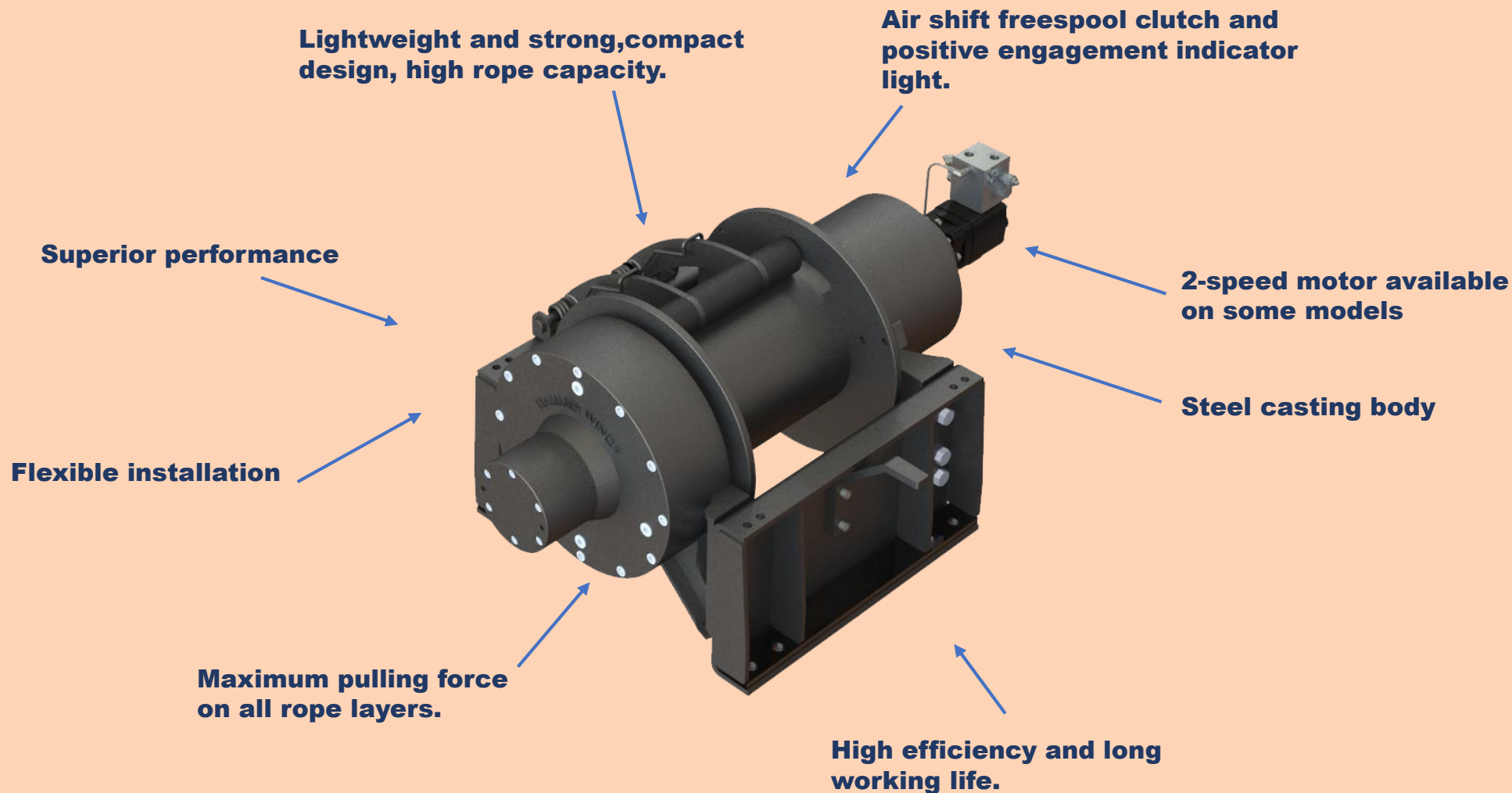
HMW 40.0 THT-CE

HMW 45.0 THT-CE

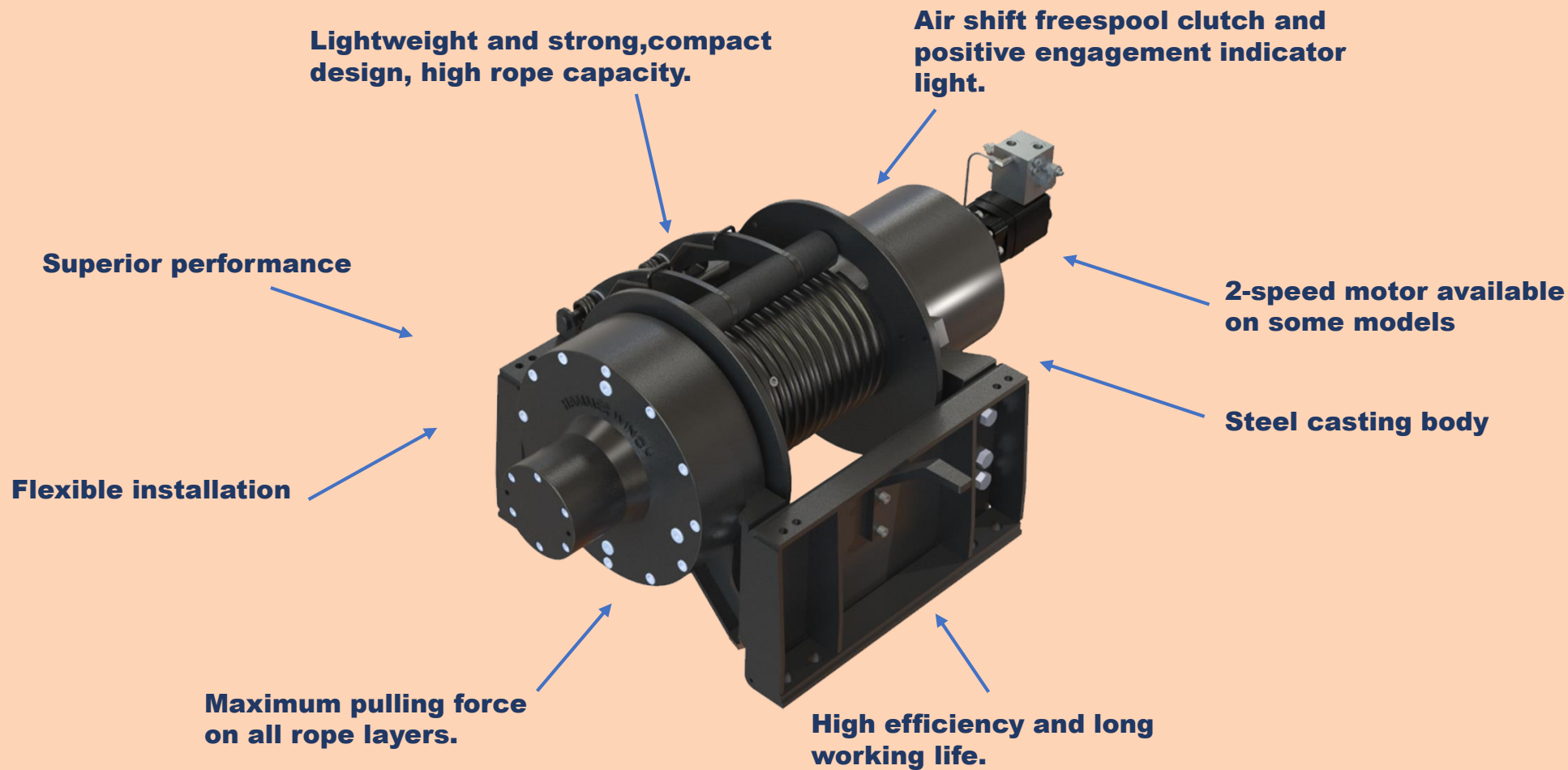
▶ HEAVY SERIES



▶ HEAVY SERIES



▶ HEAVY SERIES



► MILITARY SERIES

From 25x2 Ton to 45x2 Ton

CE Version

HMW 30.0 X2 THT DOUBLE WINCH

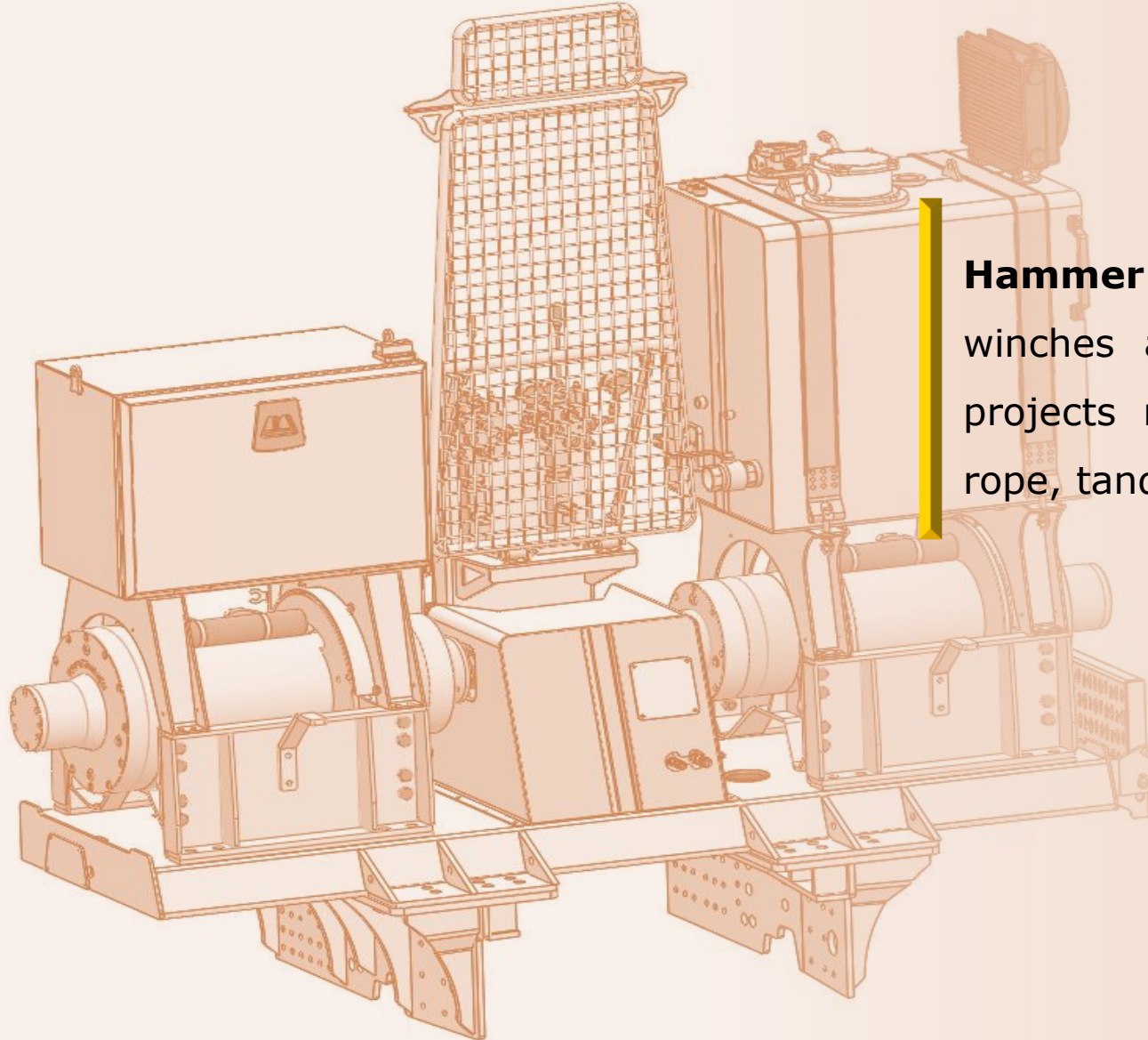
HMW 35.0 X2 THT DOUBLE WINCH

HMW 40.0 X2 THT DOUBLE WINCH

HMW 45.0 X2 THT DOUBLE WINCH

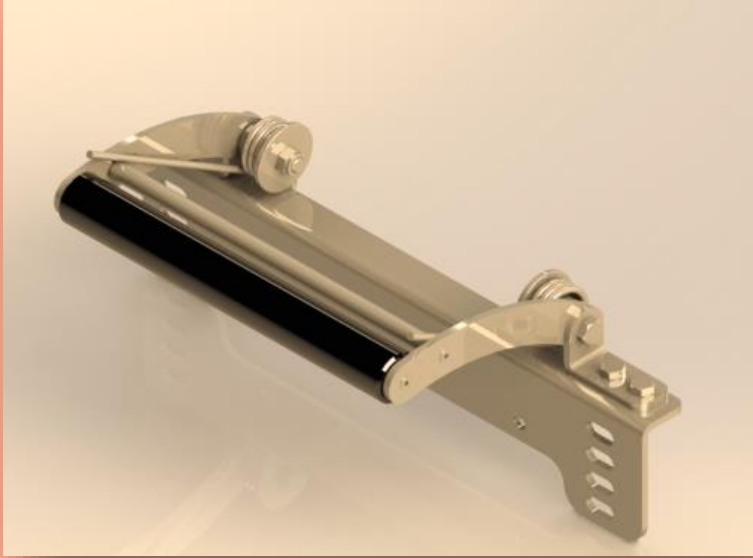


► COSTUMER PROJECTS



Hammer Winch not only produces standard winches also produces according to customer's projects needs with main frame, oil tank, wire rope, tandem pump, remote control etc..

► SPARE PARTS & ACCESSORIES



Hammer Winch has a wide range of spare parts and accessories designed specifically for each of our Planetary Winches, including roller fairleads and cable tensioners.



▶ AFTER SALES SERVICE



Technical advice given on winch fitting and component replacement, plus efficient overnight parts despatch and fast repairs.

► PROJECTS



► PUBLIC PROJECTS



► PUBLIC PROJECTS



► PUBLIC PROJECTS



► PUBLIC PROJECTS



▶ PRIVATE PROJECTS



▶ PRIVATE PROJECTS



▶ PRIVATE PROJECTS



▶ PRIVATE PROJECTS



▶ MILITARY PROJECTS



► MILITARY PROJECTS



▶ MILITARY PROJECTS



▶ MILITARY PROJECTS



▶ MILITARY PROJECTS



▶ MILITARY PROJECTS



► MILITARY PROJECTS



▶ MILITARY PROJECTS



► MILITARY PROJECTS



▶ MILITARY PROJECTS



► MILITARY PROJECTS



INTERNATIONAL EXHIBITIONS

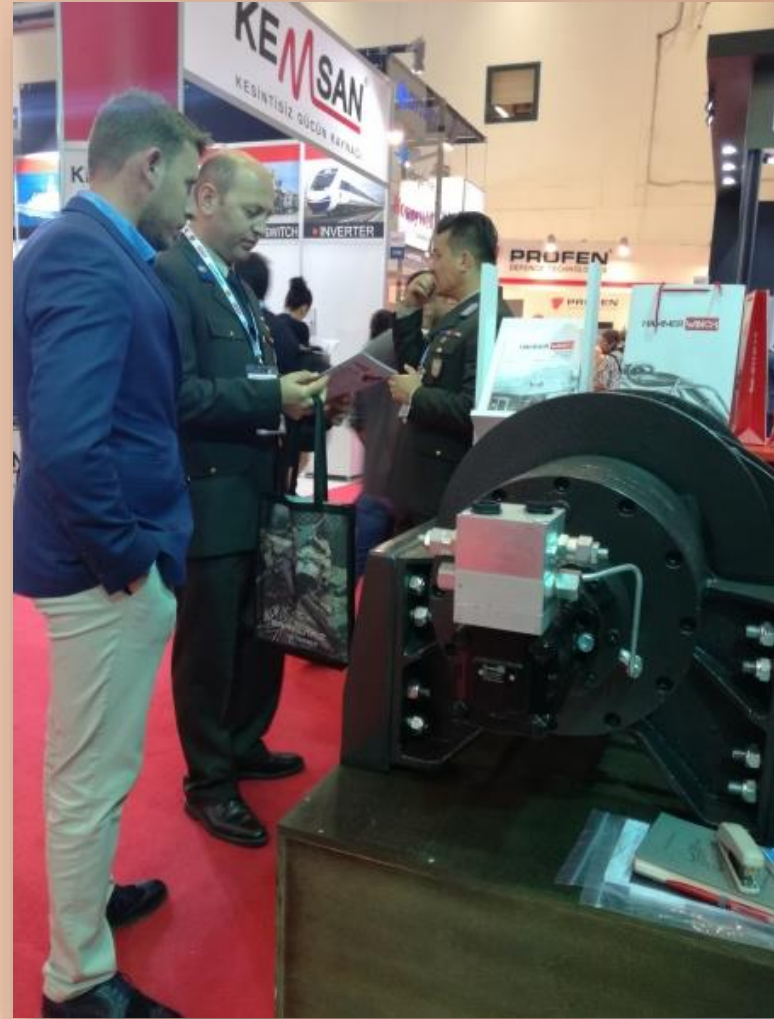


▶ INTERNATIONAL EXHIBITIONS



**IFBA International Trade Exhibition Recovery and Towing 2016
GERMANY – Kassel**

► INTERNATIONAL EXHIBITIONS



IDEF International Defence Industry Fair 2017
TURKEY– Istanbul

► INTERNATIONAL EXHIBITIONS



**IFBA International Trade Exhibition Recovery and Towing 2018
GERMANY – Kassel**

► INTERNATIONAL EXHIBITIONS



International IAA Commercial Vehicles 2018
GERMANY – Hanover

► INTERNATIONAL EXHIBITIONS



IDEF International Defence Industry Fair 2019
TURKEY– Istanbul

► INTERNATIONAL EXHIBITIONS



Comtrans International Commercial Vehicle Show 2019
Moscow- RUSSIAN

HAMMER WINCH



REFERENCES



▶ SOME OF FOREIGN COSTUMERS



► SOME OF DOMESTIC COSTUMERS

FNSS
SAVUNMA SİSTEMLERİ A.Ş.

 **aselsan**

 **roketan**

BMC

**MAN**



Mercedes-Benz



SCANIA

IVECO


PI MAKINA
www.pimakina.com.tr

HAMMER **WINCH**

► SOME OF DOMESTIC COSTUMERS

The logo for TIRSAN features a stylized red and blue 'T' icon to the left of the word 'TIRSAN' in bold blue capital letters.

The logo for KOLUMAN features a blue circular icon with three curved lines to the left of the word 'KOLUMAN' in bold blue capital letters, with 'OTOMOTİV ENDÜSTRİ A.Ş.' in smaller blue capital letters below it.

The logo for HEMA features a stylized red and grey 'H' icon to the left of the word 'HEMA' in bold red capital letters, with 'ENDÜSTRİ A.Ş.' in smaller grey capital letters below it.

The logo for KARBA features a blue and red vertical bar to the left of the word 'KARBA' in bold white capital letters on a blue background, with 'OTOMOTİV MAKİNA SANAYİ VE TİCARET LTD.ŞTİ.' in smaller white capital letters below it.

The logo for KATMERCİLER features a red arrow pointing left to the left of the word 'KATMERCİLER' in bold grey capital letters, with 'ARAÇ ÜSTÜ EKİPMAN SANAYİ VE TİCARET A.Ş.' in smaller grey capital letters below it.

The logo for ÖZTREYLER features a stylized red and grey 'F' icon above the word 'ÖZTREYLER' in bold black capital letters.



CONTACT

HAMMER ENDÜSTRİ

Address:

Istanbul Yolu 31.Km. 2073.Sok. No: 23 K.Kazan - Ankara -TURKEY

Company Tel:

+90 312 394 14-16

Company Fax:

+90 312 394 14-20

Company E-mail:

info@hammerendustri.com

www.hammerwinch.com

HAMMER WINCH

THANK YOU